



金山品质 值得信赖

金山为中国制造代言



JISAN HEAVY INDUSTRY



《我爱发明》推荐品牌



烟台金山重工机械设备有限公司
JISAN HEAVY INDUSTRY LTD.
详细情况请与当地代理商联系 本图册最终解释权归金山重工所有

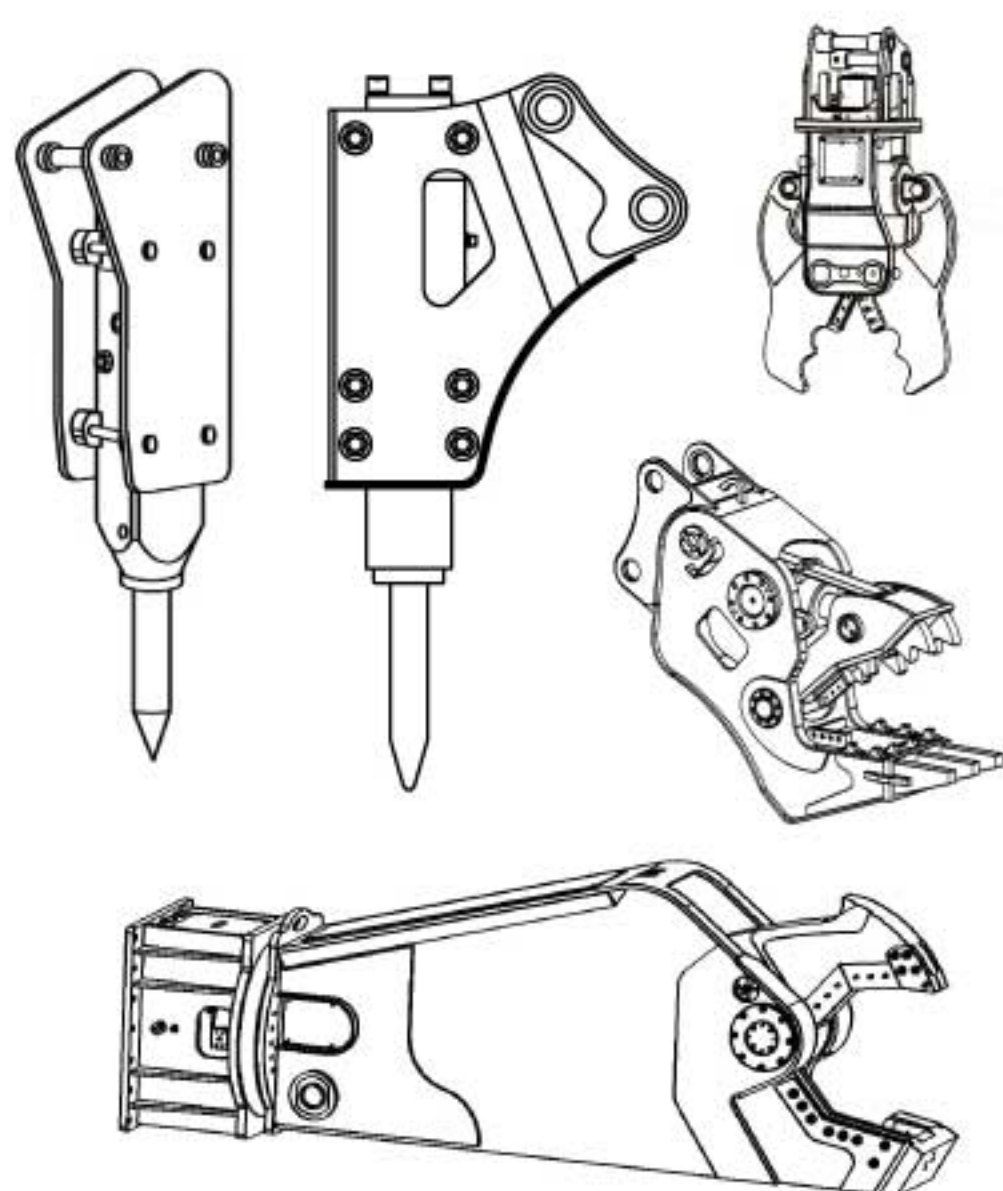
高端智能装备制造商
THE LEADING MANUFACTURER OF EXCAVATOR ATTACHMENTS

GUIDE FUNCTION

导读



破碎/拆除工程装备 SHATTERED/REMOVED ENGINEERING EQUIPMENT



破碎锤 Hydraulic Breaker
应用于采矿区的二次破碎中,完全取代了二次爆破进行大块破碎。也可用于冶金、矿山、铁路、公路、建筑等领域进行开采、破碎、拆除作业。

粉碎钳 Hydraulic Pulverizer
广泛应用于拆迁行业及工业废料等场合。粉碎钳的应用在安全、环保、节约成本等方面作业显著。

高空液压剪 Multi Crusher/Multi Shear
适用于化工厂、炼钢厂及钢结构厂房的拆除,也能进行混凝土物质的回收,进行完全的破碎设备。适合大中型废钢回收站及市政拆除作业。

单缸大力剪 Single Cylinder Shear
用于摩托车、小轿车、面包车、农用机具、轮胎毂分离等交通工具的解体,废钢料进行压缩减容,其他楼房拆除、钢材剪切等破碎、剪切作业。

双缸大力剪 Double Cylinder Shear
采用双油缸和同步机构设计,用于钢结构、汽车大梁、废旧金属制品的切割及破碎。

重型液压剪 Hydraulic Power Shear
使用进口刀片,坚固耐用,适用于H、I钢,汽车大梁,厂房支重梁,抓船等拆除作业。

拆车钳 Hydraulic Shear (Car Dismantling)
对各类报废车辆进行剪切拆除,尤其H梁、I梁构造的钢结构一次性剪切拆除。

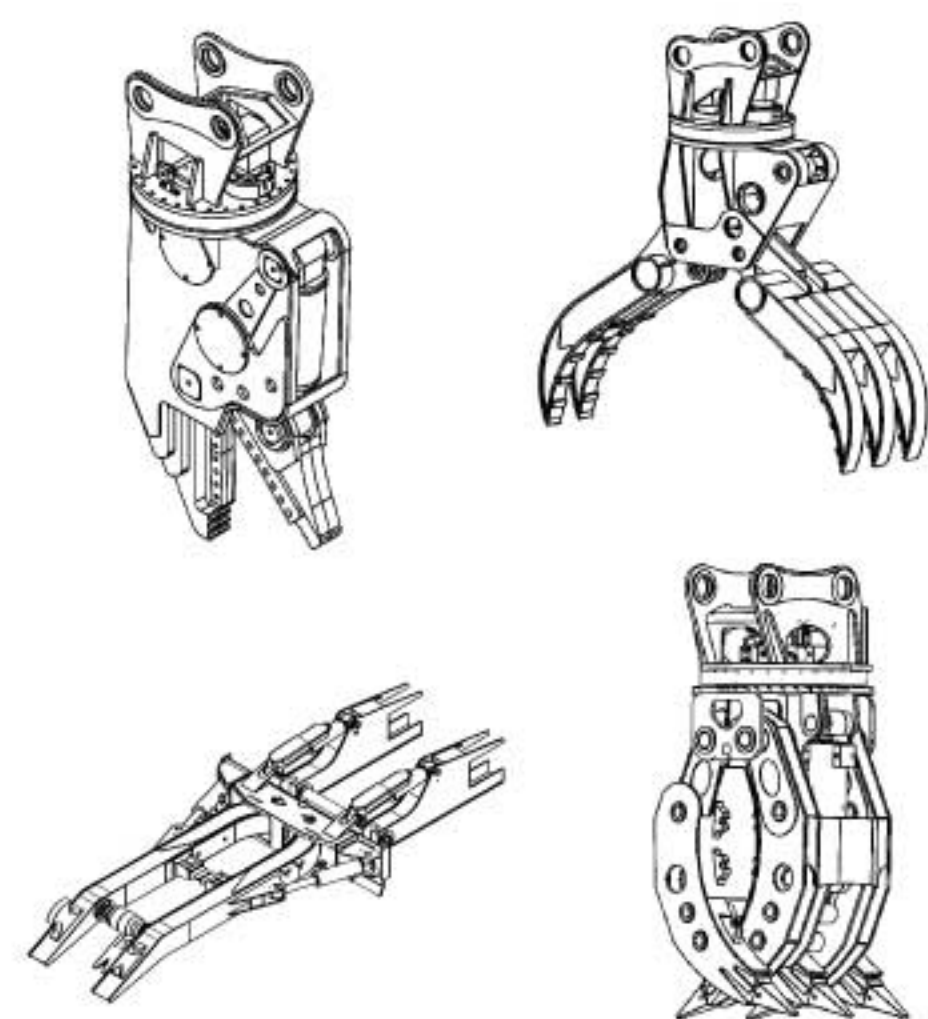
前压架 Excavator Clamp Arm
前压架与拆车钳配套组合,可以辅助拆车剪完成各项拆车动作,进行精巧的实现飞速拆车工作。

液压吸盘 Excavator Magnet Lift
采用液压发电机驱动发电,无需额外安装,用于铁制品废钢分类及装卸、搬运整理整顿。

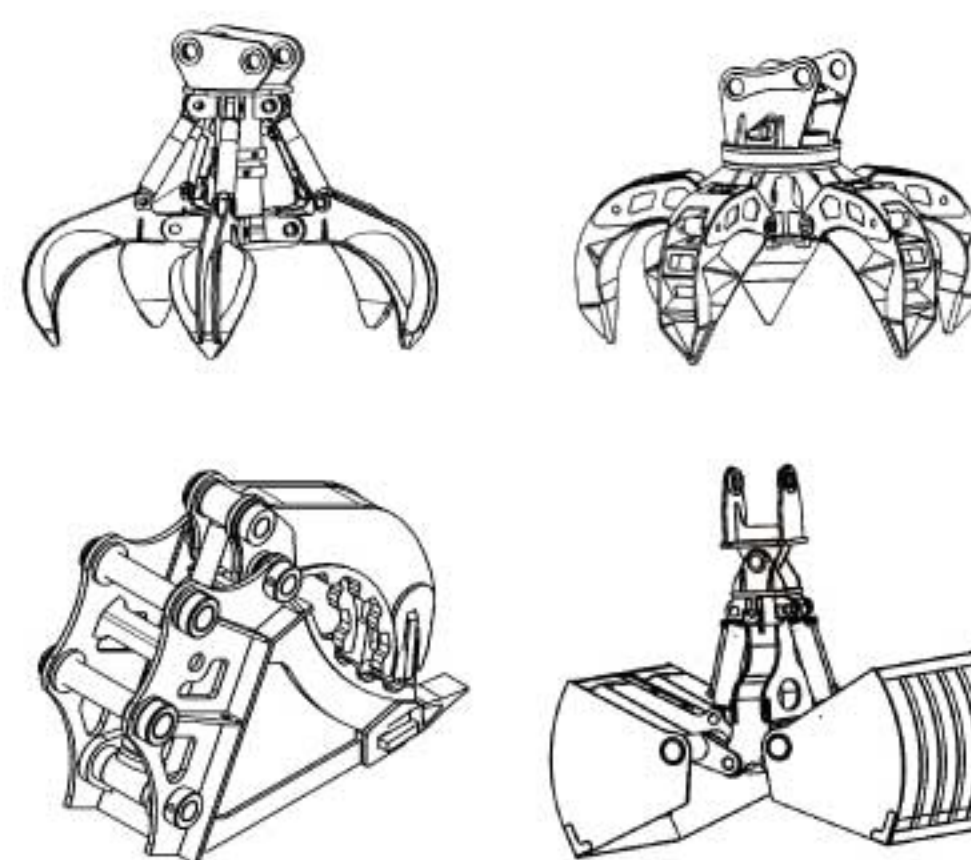
抓料机 Sorting Grab
用于各种装卸环境,如钢铁厂、回收站、港口、货场等场所货物或物料的装卸,可以根据工作环境搭配各种机械设备。

抓钢/石/木器 Hydraulic Steel/Rock/Log Grab
应用于钢铁厂、冶炼厂、港口、码头、林业、贮木场等行业的废钢、矿石、木材装运装卸作业,可配合挖掘机、吊塔、卸船机和行车等类的机械设备。进行钢材、石料、木料、芦苇、稻草及各种条状物料的装卸及搬运。

再生资源处理装备 RECYCLING RESOURCE PROCESSING EQUIPMENT



智能装卸装备 INTELLIGENT LOADING AND UNLOADING EQUIPMENT



抓钢/石/木器 Hydraulic Steel/Rock/Log Grab
应用于钢铁厂、冶炼厂、港口、码头、林业、贮木场等行业的废钢、矿石、木材装运装卸作业,可配合挖掘机、吊塔、卸船机和行车等类的机械设备。

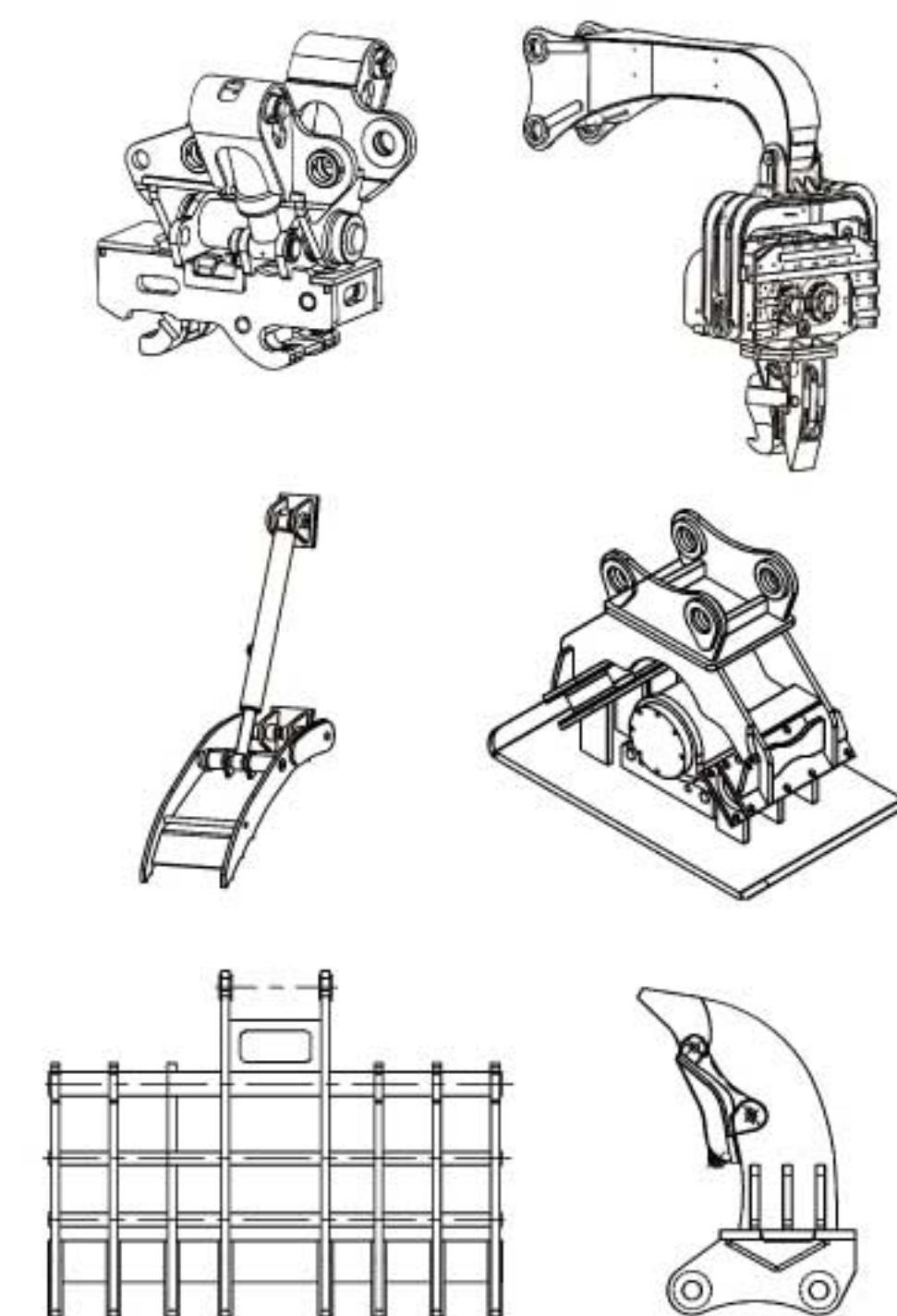
莲花抓 Orange Peel Grapple
可以装卸大量的散装物料,用于铁路、港口、木材生产、工程建筑等装卸作业。

铲斗夹 Clamp Bucket
用于场地整理、地面清理、碎石场地挖掘和清除、林木业及居民拆除等场合作业。

倾斜斗 Tilt Bucket
用于斜坡和平面的修整及河道、水沟的大容量清淤、清洁作业,还可用于环境保护、水沟、草牧场的清理等多种作业环境。

贝壳斗 Clamshell Bucket
用于沟或受限制的空间的一侧进行等沙状物料的挖掘和装载。

夯桩及辅助装备 COMPACTION PILING AND AUXILIARY EQUIPMENT



夯实器 Hydraulic Plate Compactor
用于桥台背、涵侧、路肩、护坡、公路、铁路路基夯实,堤坝及护坡夯实,建筑沟槽及回填土夯实、混凝土路面修补夯实、市政边沟、井口、管侧夯实等。

打桩机 Pile Hammer
用于建筑打桩、成孔,也可用于高层建筑、立交桥、海港码头、铁路、公路等项目中。

松土器 Ripper
用于开挖有裂纹的岩石,破碎冻土,也用来挖开沥青路面、硬土、次坚石、风化石的粉碎、分裂,以便于用挖斗进行挖掘及装载作业。

耙子 Excavator Rake
用于灌木、原木、石材、废弃物等多种工程装卸和作业。尤其适用于清理,装运地面上的木桩,草木,碎石等杂物。

拇指夹 Hydraulic Power Thumb
用于挖掘装载时物料容易翻落的地方,特别是用于装载举升较高的地方,减少了物料翻落的可能性或可直接抓取物料。

快速连接器 Hydraulic Quick Hitch
用于在挖掘机上迅速安装、切换各种配置件(挖斗、松土器、破碎锤、液压剪等),扩大挖掘机使用范围,并能节省时间,提高工效。在工业及民用建筑,管道铺设,采矿和装卸等方面应用广泛。

COMPANY PROFILE

公司简介

金山重工致力于自主研发、生产、销售挖掘机及各类配套作业装置的现代化制造企业。经过多年的发展公司拥有完善的技术研发团体和生产工艺,保证了产品的性能和质量。随着制造设备不断更新改造,确保了多达上百种大中小型号属具的生产供应。

公司主要生产:报废汽车拆解机、挖掘机、固定抓料机等大型机械设备及破碎锤、抓钢器、抓木器、液压剪、打桩机、连接器、莲花抓、振动夯、拆车钳等上百种挖掘机前端装置产品。下设金山、迪林科两个系列品牌。

公司秉承“效率至上、科技先行”的核心价值观,坚持技术创新和管理创新,全面推行卓越绩效管理和精益生产方式(LPS),实现精准营销和品牌战略,综合运营效率持续提高。公司及产品先后通过BV认证,SGS认证,CE认证,我们坚信质量是企业的生命,抓住质量源头,在生产方面严格控制自制件质量和制作工艺。

公司拥有自主进出口权,产品远销全球50多个国家和地区,在遍布全球的销售网络,无论您身在何处,金山重工全球的代理商经销商系统都可以为您提供一站式采购,多元化工程解决方案,金山完善的售后服务团队,解决了客户的后顾之忧。

公司持续推进国际化经营战略,不断加强国内外技术、管路、品牌运作方面的合作与交流,在产品布局、配套体系、人力资源和市场营销等领域逐步迈向国际化。

在未来,金山公司将充分利用多年来积累的丰富经验和形成的核心竞争优势,通过“精细化——多元化——国际化”这三大战略目标的实施来推进企业发展;全力打造一个专业的液压装备制造制造商,向着世界一流企业迈进!



Yantai Jisan Heavy Industry Ltd. is a modernized manufacture enterprise which is fully committed to research and development, production and sales all kinds of excavator attachments equipments.

The main products include: Hydraulic breaker, Pile hammer, Hydraulic quick hitch, Hydraulic rotating grapple, Grab bucket, Plate compactor, Heavy duty ripper, Crusher, Earth auger, meanwhile also can customize special equipment according to customer's request, such as Pallet fork, Special thumbs, Tilt bucket, Tilt hitch etc.

The company has independent import and export rights. Products are sold all over the world. The company provides supporting and processing services for the domestic and foreign many excavator manufacturers to maximize meet customers' requirements.

Quality is the life of enterprise! Jisan company has intelligent technical team, perfect quality control system and service network; Grasp the quality source, in terms of production, strictly control of the homemade quality and production process. The company implemented 6S management, and continually improve the quality awareness of staff, combined with the assessment mechanism to supervise and inspect, and carry out quality one-votc veto to ensure product durability, reliability, fundamentally set up the concepts of Quality First.

In the future, Jisan Company will make full use of rich experience accumulated and the core competitive advantage formed in the past few years, to stride forward the world first-class enterprise.



DEVELOPMENT PROCESS

发展历程

2009

2009年2月烟台金山重工机械设备有限公司成立。

In February 2009, Yantai Jisan Heavy Industry Ltd. was formally established.

2010

2010年12月公司破碎锤销量突破600台,实现当年销售额3500万。

In December 2010, the company's sales of hydraulic breakers exceeded 600 units, achieving sales of 35 million in that year.

2011

2011年3月金山重工DLK品牌第一台快速连接器下线,标志着金山重工多元化发展路线正式拉开帷幕。

2011年4月金山重工振动夯、抓木器等其他属具陆续下线。

In March 2011, the first hydraulic quick hitch of Jisan Heavy Industry DLK brand went offline, marking the official opening of the diversified development route of Jisan Heavy Industry. In April 2011, other accessories such as hydraulic plate compactor and hydraulic grapple of Jisan Heavy Industries were rolled off the production line.

2012

2012年11月金山重工正式定位专业的挖掘机属具制造商,当年已经拥有10个以上类别,50多个型号的产品生产能力,为挖掘机属具行业不断研发制造新产品。

In November 2012, Jisan Heavy Industry officially positioned a professional excavator attachment manufacturer. In that year, it already had more than 10 categories and more than 50 models of production capacity. It continuously developed new products for the excavator attachment industry.

2013

2013年5月陆续通过欧盟CE认证、CIMA资格认证、GOST-R认证。

2013年12月单次出口50万美元产品,得到国际客户好评。

In May 2013, it successively passed EU CE certification, CIMA qualification certification, and GOST-R certification.

In December 2013, a single export of 500,000 US dollars of products was well received by international customers.

2014

2014年9月金山重工正式投资破碎锤生产,定位生产140级别以上大型破碎锤制造企业。

In September 2014, Jisan Heavy Industry formally invested in the production of hydraulic breakers, positioning itself to produce large-scale breaker manufacturers above 140.

2015

2015年12月金山重工165F、175F、185F系列加重型产品陆续投放市场。

In December 2015, Jisan Heavy Industries 165F, 175F, and 185F series heavy-duty products were successively put on the market.

2016

2016年金山重工六款系列液压剪相继下线,走出国门。金山重工占地86亩地的新工厂正式开始启动。

In 2016, Jisan Heavy Industries six series of hydraulic shears were rolled off the production line and went abroad. Jisan Heavy Industries officially opened a new factory covering an area of 57000 square meters.

2017

2017年金山重工不断更新产品性能,推出重型液压剪、鳄鱼式粉碎钳、新型抓钢器等产品。购置多台数控机床,扩大生产能力。

In 2017, Jisan Heavy Industry continuously updated its product performance, and introduced products such as hydraulic power shear, hydraulic pulverizer, and new steel grabbers. Jisan Heavy Industry purchased multiple CNC machine tools to expand production capacity.

2018

2018年上海国际工程机械宝马展览会(BAUMA CHINA)订单销量翻一倍。成功研发报废汽车拆解机等大型机械设备。

In November 2018, the sales volume of BAUMA CHINA at Shanghai International Construction Machinery doubled. Successfully developed large machinery and equipment such as scrap car disassemblers.

2019

2019年相继参加国内外的中国(北京)国际工程机械展览与技术交流会等各大展会,扩大世界影响力。

In 2019, we have participated in the China (Beijing) International Construction Machinery Exhibition and Technology Exchange Conference (BICES) and other major exhibitions to expand the influence of the world.

2020

2020年扩大生产能力,增加各类大型生产设备,提高拆车机、打桩机、重型液压剪等产品效能。

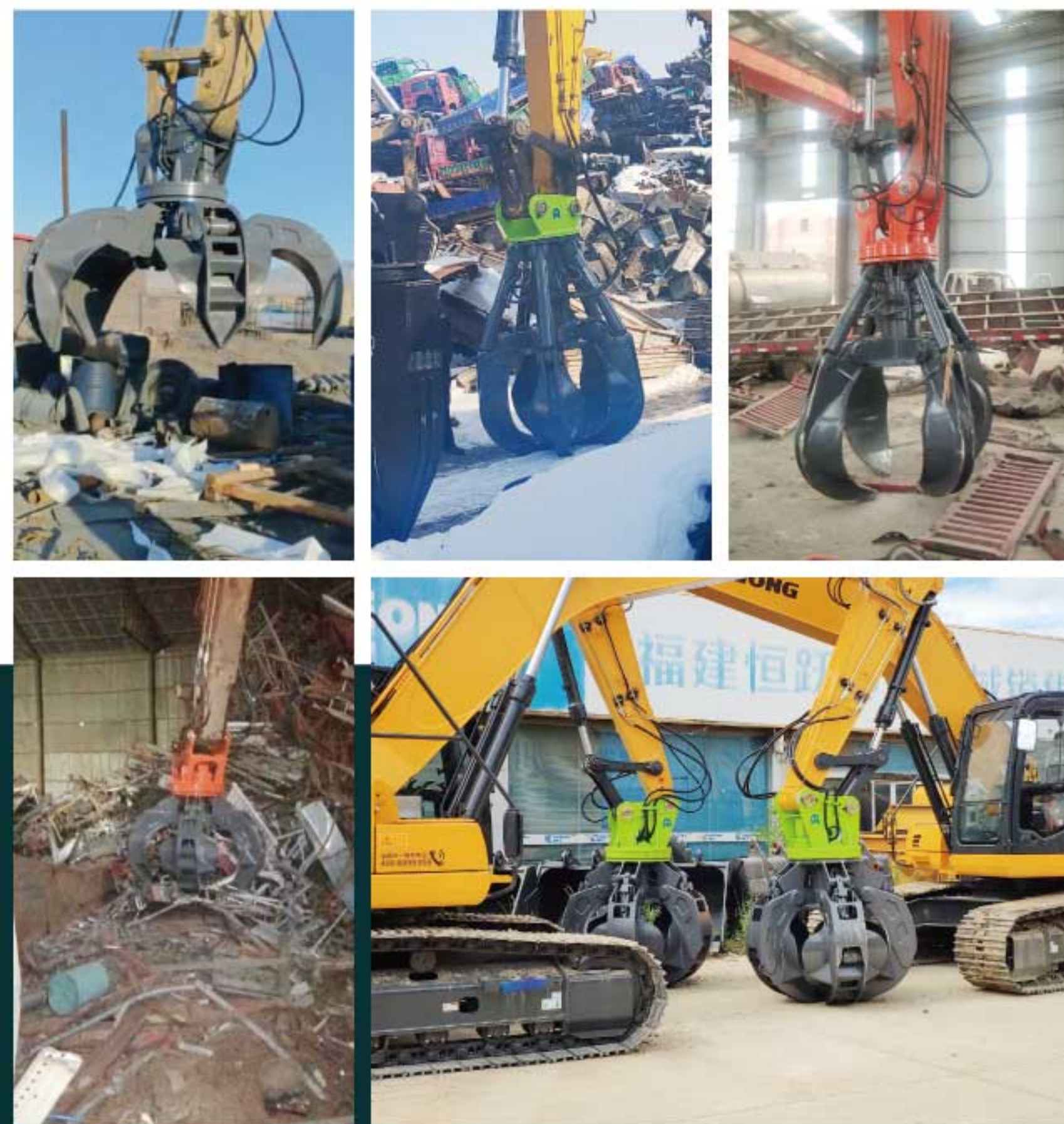
In 2020, we will expand production capacity, increase various types of large-scale production equipment, and improve the efficiency of car scrapers, pile drivers, and hydraulic power shears.

再生资源处理装备 智能装卸装备

莲花抓 Orange Peel Grapple

适用对象：散装石料、钢材、木料等物料的装卸、搬运作业。
 主要特点：采用NM500钢材，重量轻、耐磨；
 销轴采用42CrMo合金钢，内置油道，强度高、韧性好；
 采用瑞士进口旋转马达，使用立式铄车马达旋转系统，360°旋转，具有铄车制动功能；
 油缸采用珩磨管，进口HALLITE油封，工作周期短、寿命长。

Applicable objects: loading, unloading, and handling of bulk stone, steel, wood and other materials.
 Main features: NM500 steel, light weight and wear-resistant;
 The pin is made of 42CrMo alloy steel, with built-in oil passage, high strength and good toughness;
 Rotary motor imported from Switzerland, vertical cart motor rotation system, 360° rotation, cart brake function;
 The oil cylinder adopts honing tube, imported HALLITE oil seal, short working cycle and long life.



莲花抓A
Orange Peel Grapple A



莲花抓B
Orange Peel Grapple B

项目/型号 Item/Model	单位 Unit	JSO04A	JSO06A	JSO08A	JSO06B	JSO08B
瓣数 No. of Jaw	piece	4/5	4/5	4/5	4/5	4/5
适用挖掘机 Suitable Excavator	ton	6-9	10-17	18-25	10-17	18-25
重量 Weight	kg	355/420	900/1000	1650/1900	850/1000	1700/1950
最大开口 Max Open Jaw	mm	1200	1600	2050	1900	2500
张口高度 Height of Opened Grapple	mm	1000	1500	1700	1550	2000
工作压力 Working Pressure	bar	200	260	320	260	320
工作流量 Working Flow	lpm	50-100	60-120	200-250	60-120	200-250
容量 Capacity	m ³	0.3	0.4	0.8	0.5	1

智能装卸装备

铲斗夹 Clamp Bucket

适用对象：碎石场地挖、夹及各种中小型材料的装卸作业。
 主要特点：采用Q345锰板钢材，强度高、耐腐蚀；
 销轴采用42CrMo合金钢，内置油道，强度高、韧性好；
 旋转式采用瑞士进口旋转马达；
 油缸采用珩磨管，进口HALLITE油封，工作周期短、寿命长。

Applicable objects: excavation and clamping of gravel sites and loading and unloading of various small and medium materials.
 Main features: using Q345 manganese plate steel, high strength and corrosion resistance;
 The pin is made of 42CrMo alloy steel, with built-in oil passage, high strength and good toughness;
 Rotary type uses Swiss imported rotary motor;
 The oil cylinder adopts honing tube, imported HALLITE oil seal, short working cycle and long life.



项目/型号 Item/Model	单位 Unit	JSCB02	JSCB03	JSCB04	JSCB06	JSCB08	JSCB10
适用挖掘机 Suitable Excavator	ton	2-3	4-6	7-11	12-16	17-23	24-30
重量 Weight	kg	180	360	520	840	1430	1860
开口尺寸 Max Jaw Opening	mm	818	1150	1380	1550	2220	2235
工作压力 Working Pressure	bar	100-130	110-140	120-160	150-170	160-180	160-180
设定压力 Set Up Pressure	bar	150	170	180	190	200	210
工作流量 Working Flow	lpm	25-40	30-55	50-100	90-110	100-140	130-170
油缸容量 Cylinder Volume	ton	4.0	5.4	5.4	8.2	10.0	12.0

智能装卸装备

倾斜斗 Tilt Bucket

主要特点：能够改变挖掘机(铲)挖斗的倾斜角度，不需要改变挖掘机位置就能进行作业，减少机械磨损和油耗，提高工作效率；
 使用高强度材料，适用于4-50吨位的各种机型；
 可倾斜角度为+/-26度，如需更大的倾斜角度，可以定做。

Main features: It can change the inclination angle of the excavator (shovel) bucket, it can work without changing the position of the excavator, reducing mechanical wear and fuel consumption, and improving work efficiency;
 Using high-strength materials, suitable for various models of 4-50 tons;
 The tilting angle is +/- 26 degrees. If a larger tilting angle is required, it can be customized.

